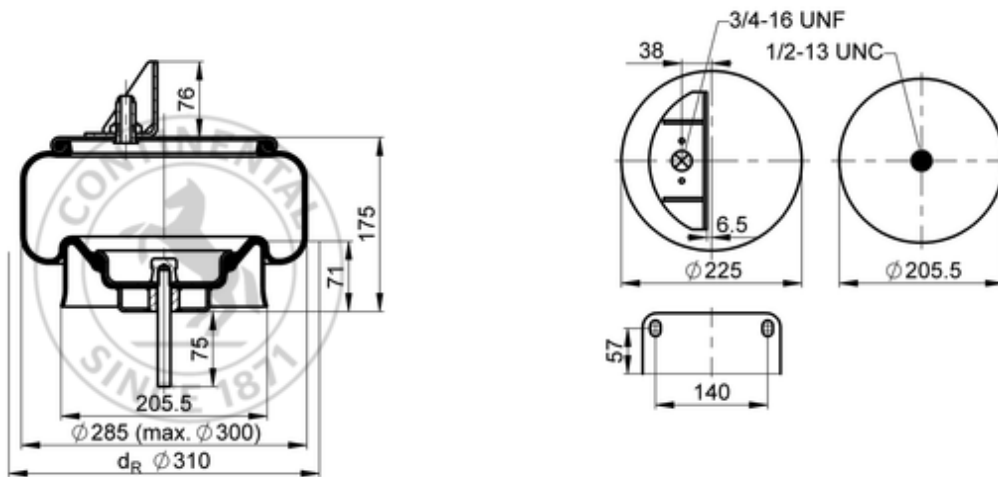


**790 N P01**
**78208**


- bolt or stud
- hole
- combination stud
- air inlet
- stud and nut

	6 kg
	1/2-13 UNC: max. 40 Nm
	3/4-16 UNF: max. 60 Nm

**OE Manufacturer/Part No.**

Manufacturer	Original Part No.	Model
DAF	1 698 433	FTT