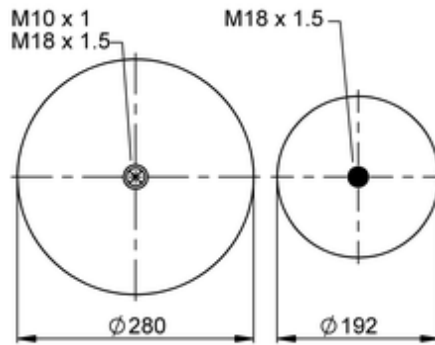
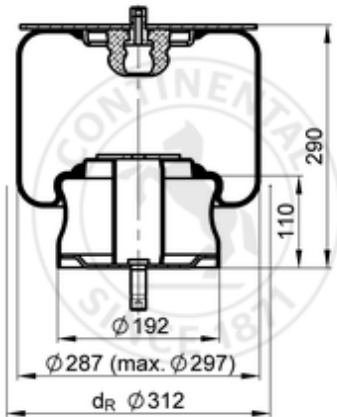


782 N P04
74340


bolt or stud
 hole
 combination stud
 air inlet
 stud and nut

| | |
|--|---------------------|
| | 8,6 kg |
| | 2686089000 |
| | |
| | M18x1.5: max. 80 Nm |

OE Manufacturer/Part No.

| Manufacturer | Original Part No. | Model |
|--------------|-------------------|-------|
| IRISBUS | 5.010.073.847 | |
| AYATS | 30201097 | |