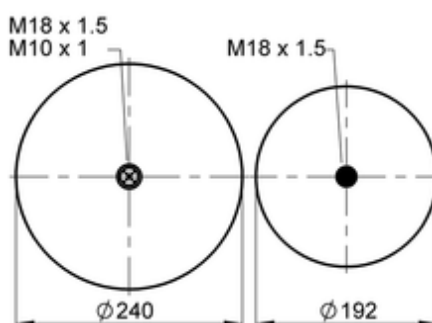
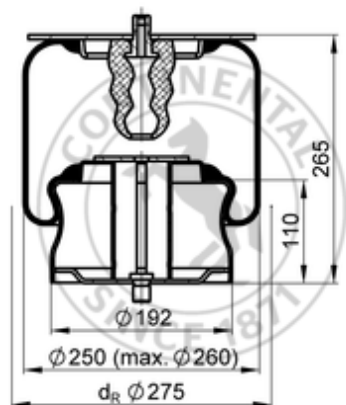










769 MB

67177



-  bolt or stud
-  hole
-  combination stud
-  air inlet
-  stud and nut

 kg	7,5 kg
	
	M18x1.5: max. 80 Nm

**OE Manufacturer/Reference No.**

Manufacturer	Original-part no.	Model
IRISBUS	5.000.805.999	PR 100