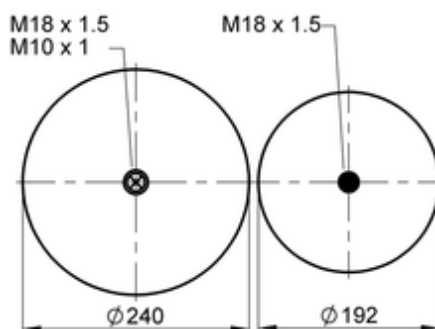
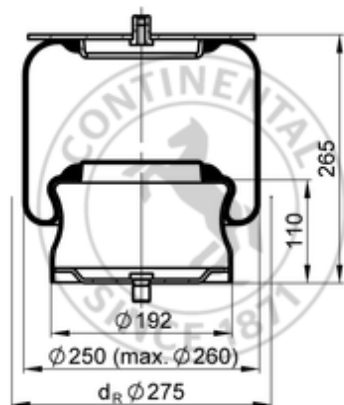









769 M

67175



-  bolt or stud
-  hole
-  combination stud
-  air inlet
-  stud and nut

	6,4 kg
	M18x1.5: max. 80 Nm

### OE Manufacturer/Reference No.

Manufacturer	Original-part no.	Model
IRISBUS	5.000.785.792	PR 100
SNVI	5.000.785.792	
SNVI	5.000.786.641	