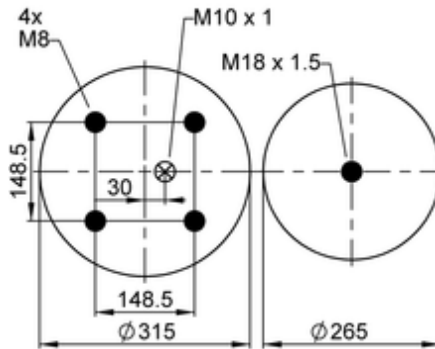
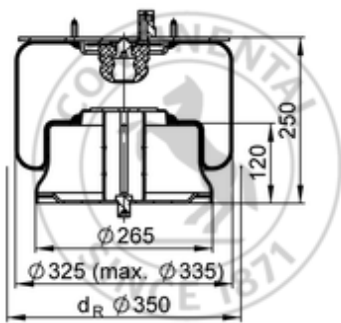






768 MB

73450



bolt or stud
 hole
 combination stud
 air inlet
 stud and nut

	11,4 kg
	
	M18x1.5: max. 80 Nm
	M8: max. 35 Nm

OE Manufacturer/Part No.

Manufacturer	Original Part No.	Model
Renault	5.000.869.135	
Renault	5.000.869.135	
IRISBUS	5.000.786.516	FR 1
IRISBUS	5.000.786.516	FR 1