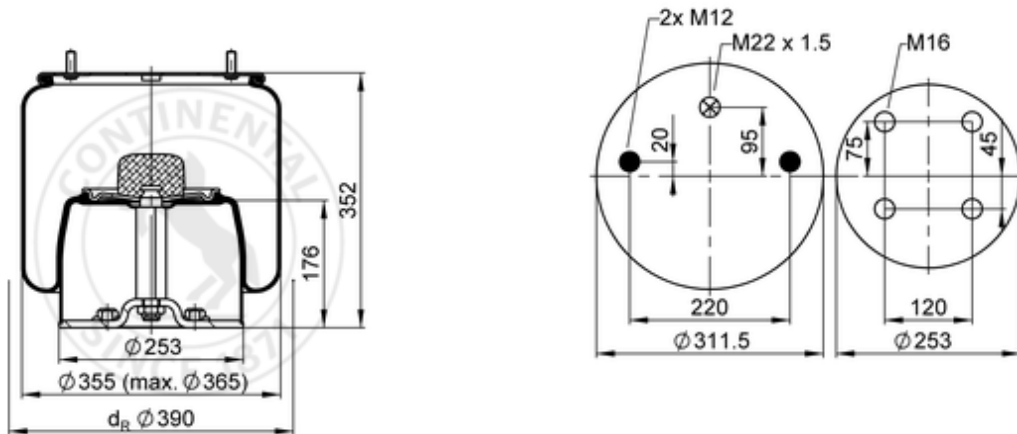


725 N P03
67173


- bolt or stud
- hole
- combination stud
- air inlet
- stud and nut

| | |
|----|---------------------|
| kg | 13,8 kg |
| | |
| | M12: max. 70 Nm |
| | M16: max. 80 Nm |
| | M22x1.5: max. 20 Nm |

OE Manufacturer/Part No.

| Manufacturer | Original Part No. | Model |
|--------------|-------------------|-------|
| Gigant | 700166252 | |
| Gigant | 166252 | |
| Gigant | 3653 compl. | |