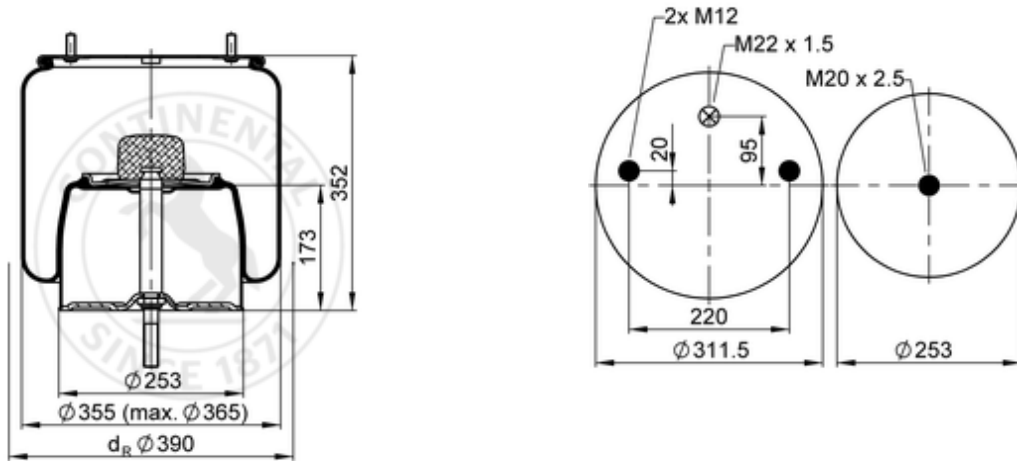


725 N P02
67171


bolt or stud
 hole
 ⊗ combination stud
 ⊗ air inlet
 ● stud and nut

kg	13,8 kg
	M12: max. 70 Nm
	M20x1.5: max. 100 Nm
	M22x1.5: max. 20 Nm

OE Manufacturer/Part No.

Manufacturer	Original Part No.	Model
Gigant	3653 compl.	
Gigant	166217	
Gigant	700166217	