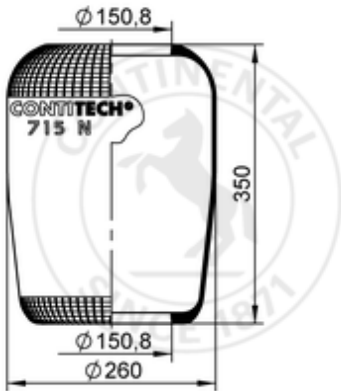


715 N

67115



bolt or stud   
  hole   
  combination stud   
  air inlet   
  stud and nut



1,8 kg

### OE Manufacturer/Part No.

Manufacturer	Original Part No.	Model
IVECO Bus	4763473	
Volvo	6 885 533	
Renault	5.000.819.517	
Mercedes	363 328 00 01	
Mercedes	A 363 328 00 01	1632 LPSL
Mercedes	A 363 328 00 01	1924 LS
Mercedes	A 363 328 00 01	1928 LS
Mercedes	A 363 328 00 01	1933 LS
Mercedes	A 363 328 00 01	1936 LS
Mercedes	A 363 328 00 01	1938 LS
Mercedes	A 363 328 00 01	2232 L
Mercedes	A 363 328 00 01	2232 LPL
Magirus-Deutz	0445 6111	310 D 22 FSL

Scania		BF 86/110/111
Scania		BR CR 110
Scania		BR/CR 111/111 DH
Scania		BR/CR 112
Scania		BR/CR 116
Scania		BR/CR 145
IVECO Bus	4456111	Carro 30-240
IVECO Bus	4456111	Carro 38
Scania		CR 76
MAN	81.43601.0059	MAN 292 /F
MAN	81.43601.0060	MAN 292/362 H
MAN	81.43601.0061	MAN 362 F
IRISBUS	5.000.819.517	R 310
IRISBUS	5.000.819.517	R 340
IRISBUS	5.000.819.517	R 420
VDL Bus	0 659 561	SB/R 2300
MAN	81.43601.0075	SD 242
MAN	81.43601.0078	SG 242/282
MAN	81.43601.0081	SG 242/292
MAN	81.43601.0083	SG 242/292 F
MAN	81.43601.0090	SG 292 F Israel
MAN	81.43601.0113	SL 200 F Israel
MAN	81.43601.0115	SL 200 F Portugal
MAN	81.43601.0117	SL 202
MAN	81.43601.0117	SL 202 F
MAN	81.43601.0117	SL 242 M 11 FLPG
MAN	81.43601.0117	SL 252
MAN	81.43601.0117	SR 292/362
MAN	81.43601.0117	SUE 242
MAN	81.43601.0117	SUE 290 F Israel