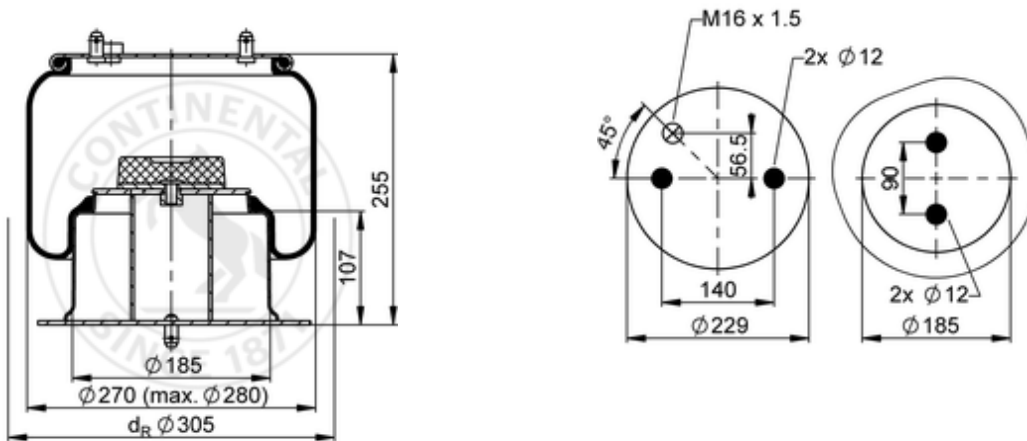


**6716 N P02**
**53881**


- bolt or stud
- hole
- combination stud
- air inlet
- stud and nut

	7,8 kg
	K031
	M16x1.5: max. 40 Nm

**OE Manufacturer/Part No.**

Manufacturer	Original Part No.	Model
Scania	2024283	
Scania	1726257	
Scania	2024289	
Scania	2024285	
Scania	2809671	
Scania	1726239	AMA780
Scania	2024284	AMA780

