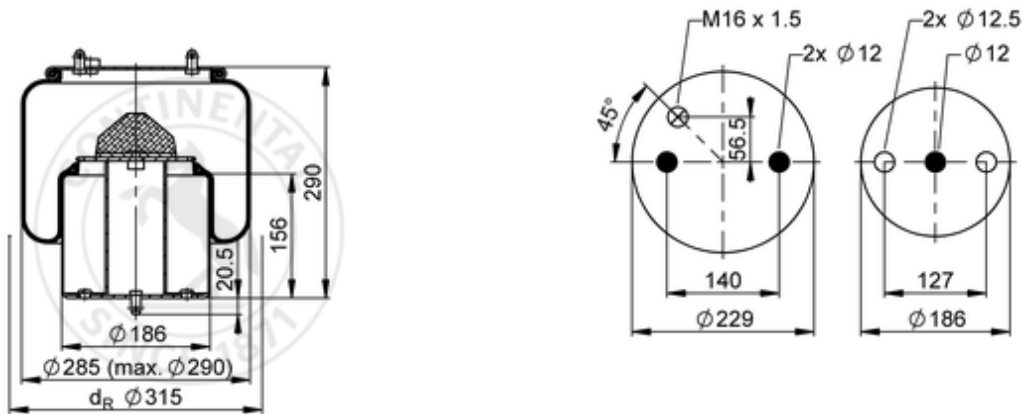


**6715 N P02**
**53880**


bolt or stud    
  hole    
 ⊗ combination stud    
 ⊗ air inlet    
 ● stud and nut

kg	8,2 kg
	K031
	M16x1.5: max. 40 Nm

**OE Manufacturer/Part No.**

Manufacturer	Original Part No.	Model
Scania	2024291	
Scania	2024288	
Scania	1726243	tandem load 17.5 ton
Scania	1726243	ADA1250, ASA1150