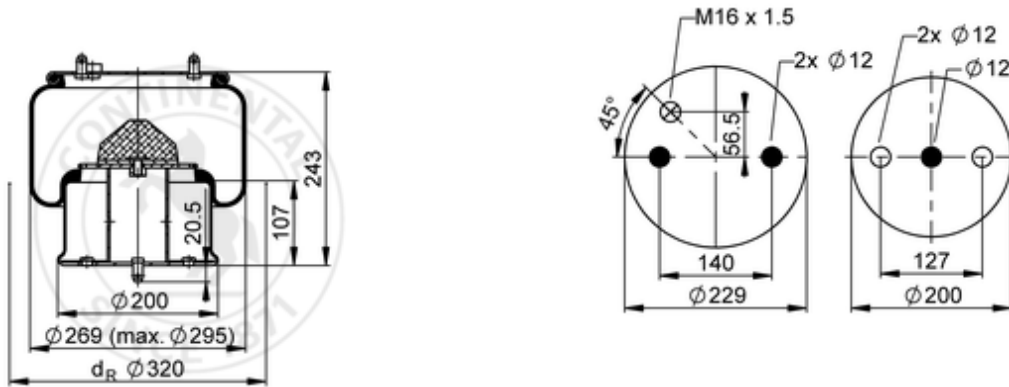


6711 N P02
53876


bolt or stud
 hole
 combination stud
 air inlet
 stud and nut

	7,2 kg
	K031
	M16x1.5: max. 40 Nm

OE Manufacturer/Part No.

Manufacturer	Original Part No.	Model
Scania	1726246	ASA701, ARA860