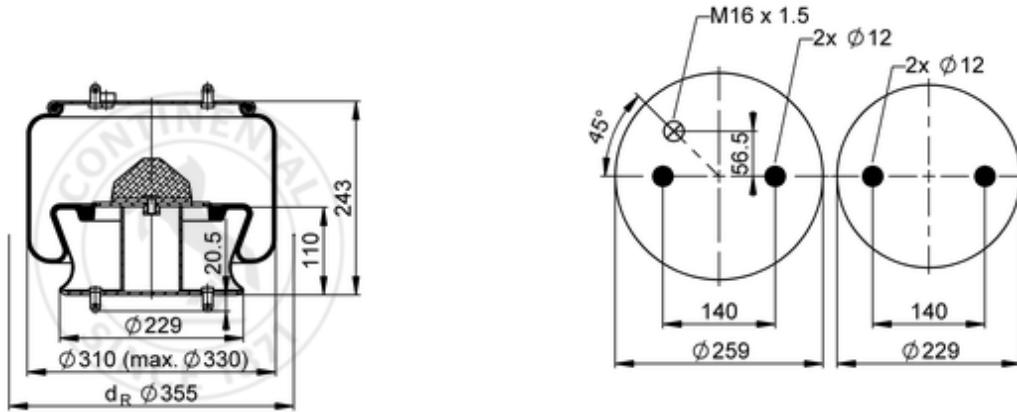


**6708 N P02**
**53873**


bolt or stud    
  hole    
 ⊗ combination stud    
 ⊗ air inlet    
 ● stud and nut

kg	8,7 kg
	K031
	M16x1.5: max. 40 Nm

**OE Manufacturer/Part No.**

Manufacturer	Original Part No.	Model
Scania	1726238	AMI700