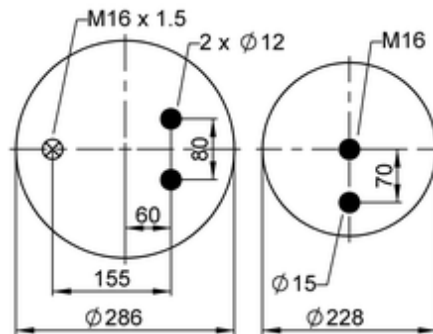
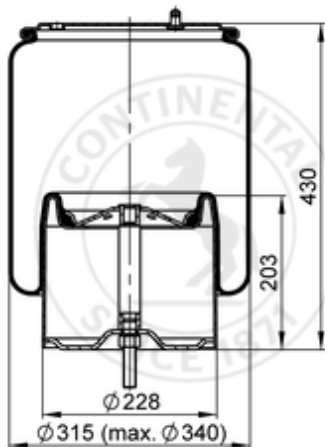

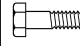





6700 N P02

69728



bolt or stud   
  hole   
  combination stud   
  air inlet   
  stud and nut

 kg	12,4 kg
	K004
	
	M16: max. 130 Nm
	M16x1.5: max. 20 Nm

### OE Manufacturer/Part No.

Manufacturer	Original Part No.	Model
Scania	2357460	
Scania	2808412	
Scania	1944314	R-Series new generation
Scania	1903608	Scania P,R,T
Scania	1774804	Scania P,R,T
Scania	2198915	Scania P,R,T
Scania	2357532	Scania P,R,T

