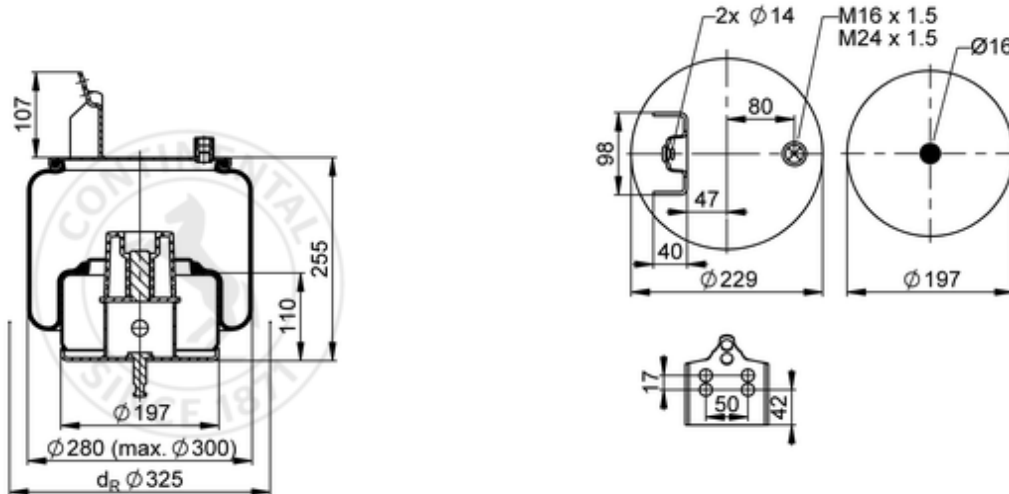


6632 N P01
53868


bolt or stud
 hole
 combination stud
 air inlet
 stud and nut

kg	9,4 kg
	M16x1.5: max. 20 Nm
	M24x1.5: max. 60 Nm

OE Manufacturer/Part No.

Manufacturer	Original Part No.	Model
Renault	20 909 153	Premium / Magnum low
Renault	7420909153	Premium / Magnum low
Renault	21 978 492	Premium / Magnum low
Renault	7421978492	Premium / Magnum low