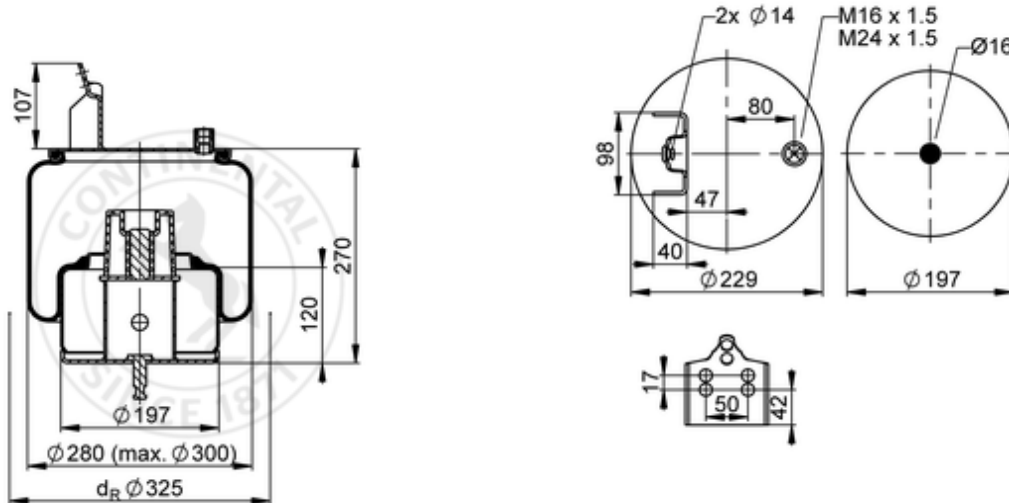






6631 N P01

53866



bolt or stud
 hole
 combination stud
 air inlet
 stud and nut

 kg	7,6 kg
	
	M16x1.5: max. 20 Nm
	M24x1.5: max. 60 Nm

OE Manufacturer/Part No.

Manufacturer	Original Part No.	Model
Volvo	20 909 152	FH medium
Volvo	21 977 974	FH medium