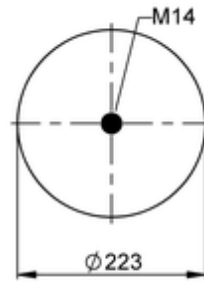
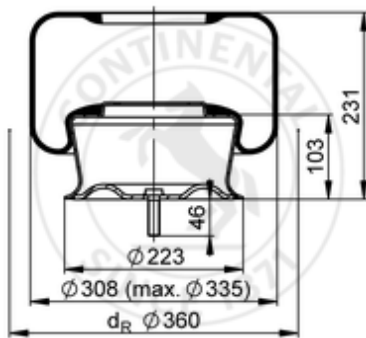




6622 N P01

53887



-  bolt or stud
-  hole
-  combination stud
-  air inlet
-  stud and nut

	5 kg
	M14: max. 70 Nm

OE Manufacturer/Part No.

Manufacturer	Original Part No.	Model
Volvo	21 836 532	B6R / B7R / B9R
Volvo	21 415 150	B6R / B7R / B9R
Volvo	20 540 795	B6R / B7R / B9R