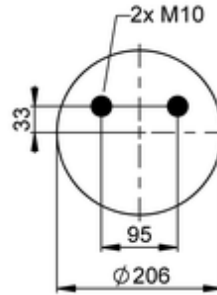
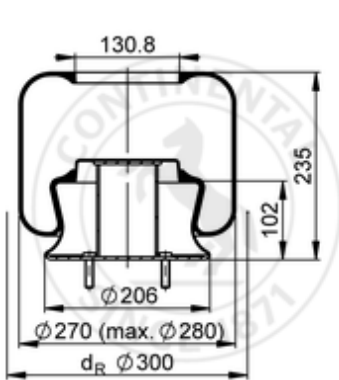





6621 N P01

53883



bolt or stud
 hole
 combination stud
 air inlet
 stud and nut

 kg	4,7 kg
	
	M10: max. 40 Nm

OE Manufacturer/Part No.

Manufacturer	Original Part No.	Model
Volvo	20 535 876	B7L/ B7LDD./ B9S./ B9TL
Volvo	23 903 431	B7L/ B7LDD./ B9S./ B9TL