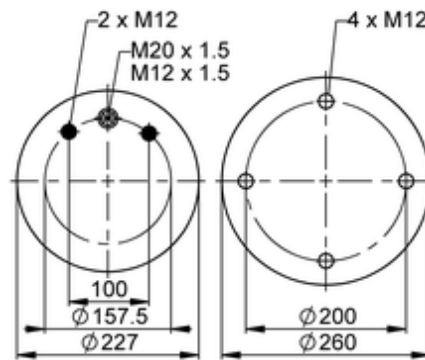
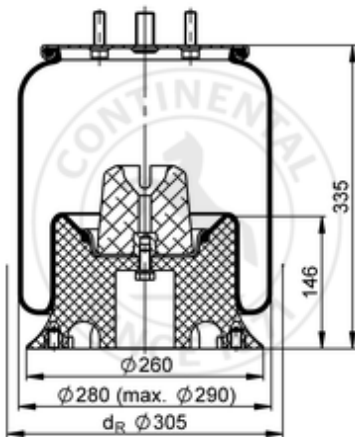







6618 N P01

78043



-  bolt or stud
-  hole
-  combination stud
-  air inlet
-  stud and nut

 kg	6,3 kg
	
	M12: max. 40 Nm
	M12x1.5: max. 20 Nm
	M20x1.5: max. 80 Nm

OE Manufacturer/Part No.

Manufacturer	Original Part No.	Model
Volvo	20 386 351	
Volvo	20 386 350	
Volvo	20 532 247	FL < 18t