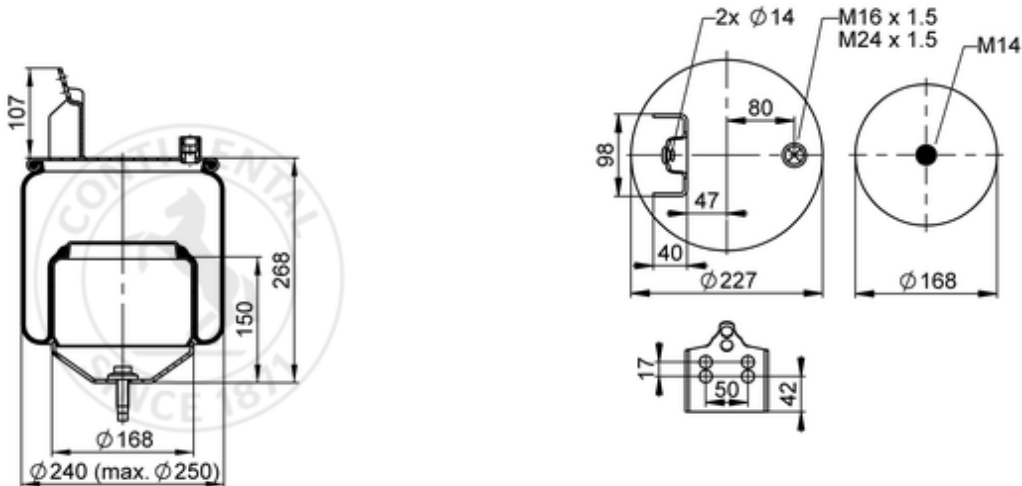


6607 N P01
63370


bolt or stud
 hole
 combination stud
 air inlet
 stud and nut

| | |
|----|---------------------|
| kg | 5,5 kg |
| | K005 |
| | |
| | M14: max. 120 Nm |
| | M16x1.5: max. 20 Nm |
| | M24x1.5: max. 60 Nm |

OE Manufacturer/Part No.

| Manufacturer | Original Part No. | Model |
|--------------|-------------------|----------------|
| Volvo | 20 531 987 | FH 12 medium |
| Volvo | 20 456 156 | FH 12 medium |
| Volvo | 20 374 511 | FH 12 medium |
| Volvo | 1 076 418 | FH medium |
| Volvo | 21 961 451 | FM / FH medium |

Volvo

20 582 214

FM / FH medium