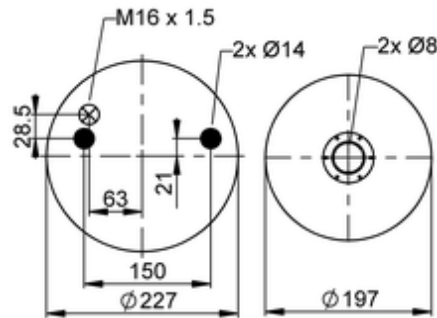
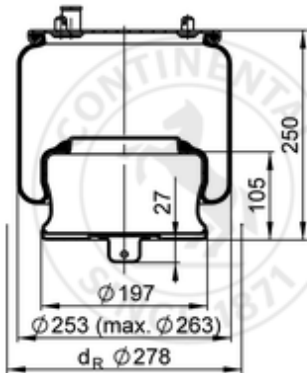


6604 N P01

62969



- bolt or stud
- hole
- combination stud
- air inlet
- stud and nut

	5 kg
	K024
	M16x1.5: max. 20 Nm

OE Manufacturer/Part No.

Manufacturer	Original Part No.	Model
Volvo	70 321 690	
Volvo	70 321 692	
Volvo	20 573 108	B 12 B