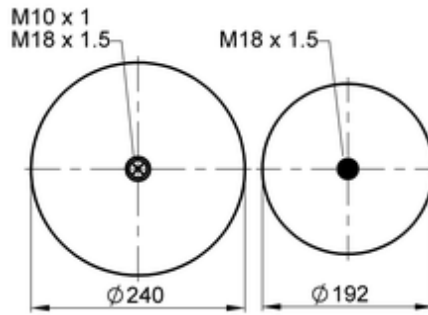
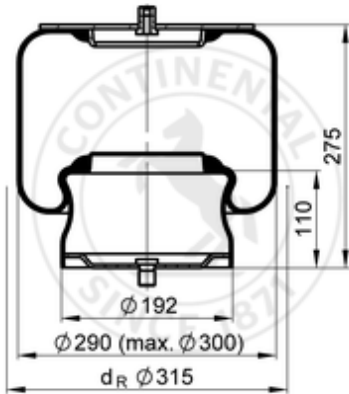


**644 N P02**
**60026**


- bolt or stud
- hole
- combination stud
- air inlet
- stud and nut

	6,6 kg
	M18x1.5: max. 80 Nm

**OE Manufacturer/Part No.**

Manufacturer	Original Part No.	Model
ZF Sachs	0501 209 514	