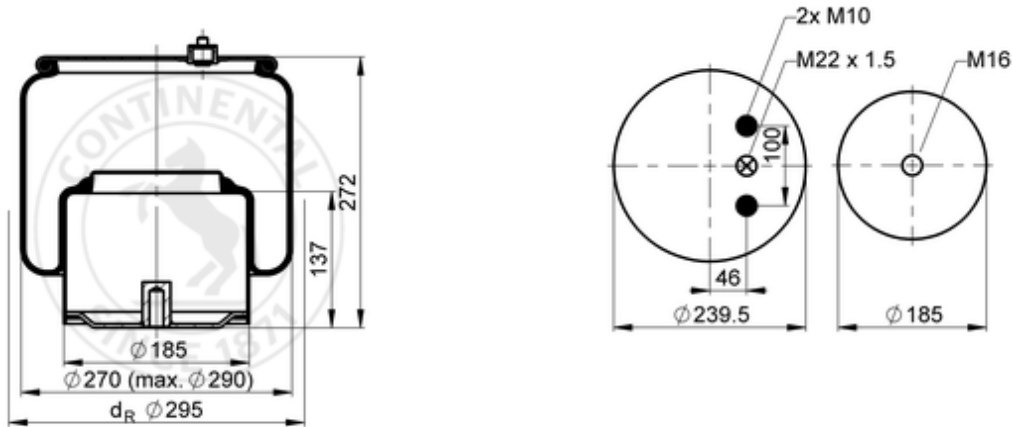







6431 N P03

78192



bolt or stud    
  hole    
 X combination stud    
 X air inlet    
 ● stud and nut

 kg	6 kg
	
	M10: max. 45 Nm
	M16: max. 170 Nm
	M22x1.5: max. 20 Nm

**OE Manufacturer/Part No.**

Manufacturer	Original Part No.	Model
DAF	2 114 130	
DAF	1 915 957	FTG