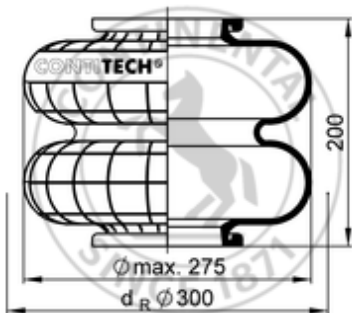



620 N Hydro 17 bar

2680621000



- bolt or stud
- hole
- combination stud
- air inlet
- stud and nut

 kg	2,3 kg
--	--------

**OE Manufacturer/Part No.**

Manufacturer	Original Part No.	Model
VDL Bus	1 192 203	
Gigant	186017	
Gigant	196017	
Gigant	700186017	
Gigant	700196017	
BPW	02.200.20.90.0	
MAN	81.43601.0023	
Magirus-Deutz	0342 2652	
DAF	1 192 203	