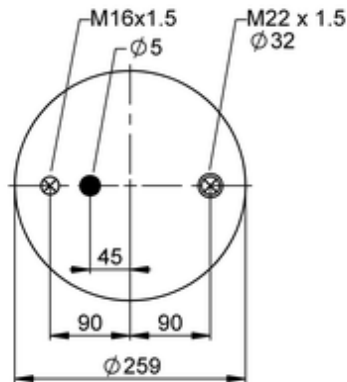
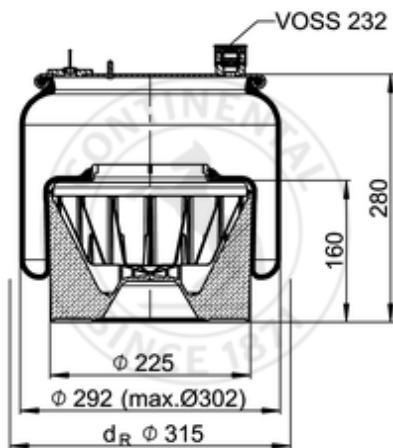


6120 N P48

74981



- bolt or stud
- hole
- combination stud
- air inlet
- stud and nut

	5,7 kg
	M16x1.5: max. 20 Nm

OE Manufacturer/Part No.

Manufacturer	Original Part No.	Model
Mercedes	960 320 13 57	
Mercedes	A 960 320 13 57	Actros MP4