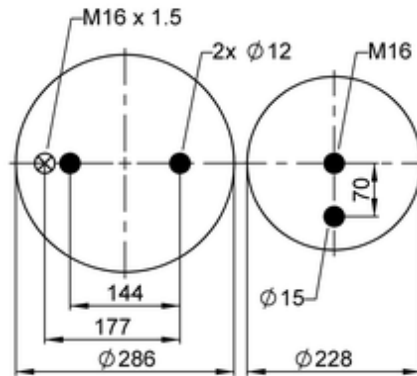
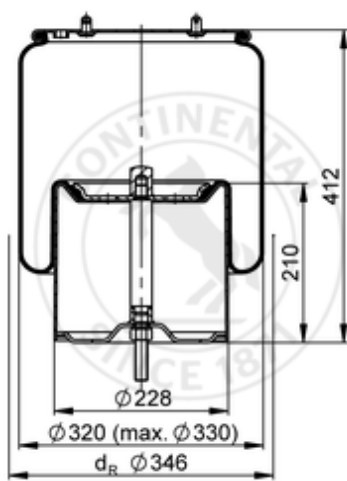


**4913 N P02**
**67254**


- bolt or stud
- hole
- combination stud
- air inlet
- stud and nut

kg	13 kg
	K004
	M16: max. 130 Nm
	M16x1.5: max. 20 Nm

**OE Manufacturer/Part No.**

Manufacturer	Original Part No.	Model
Scania	1440294	Series 4
Scania	1379392	Series 4