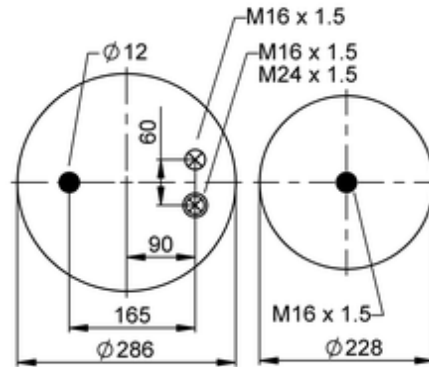
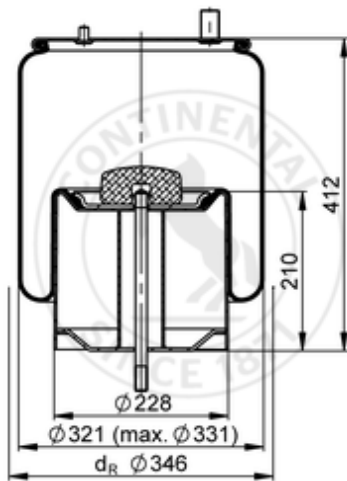

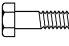






4912 N P07

67252



-  bolt or stud
-  hole
-  combination stud
-  air inlet
-  stud and nut

	14 kg
	K018
	
	M16x1.5: max. 180 Nm
	M16x1.5: max. 80 Nm
	M24x1.5: max. 120 Nm

OE Manufacturer/Part No.

Manufacturer	Original Part No.	Model
Renault	5.010.294.307	Magnum / Premium