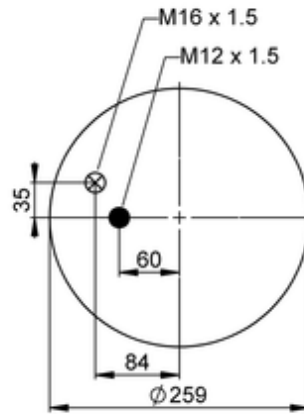
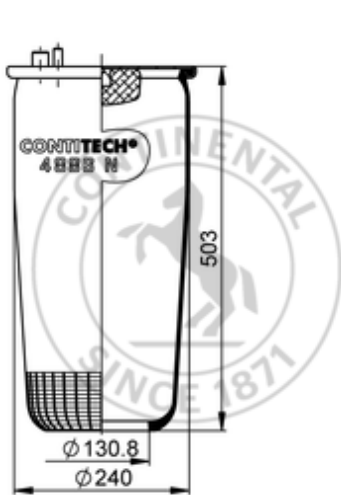


4886 N P02
78125


- bolt or stud
- hole
- combination stud
- air inlet
- stud and nut

	5,1 kg
	M12x1.5: max. 40 Nm
	M16x1.5: max. 40 Nm

OE Manufacturer/Part No.

Manufacturer	Original Part No.	Model
MAN	81.43601.0165	std frame