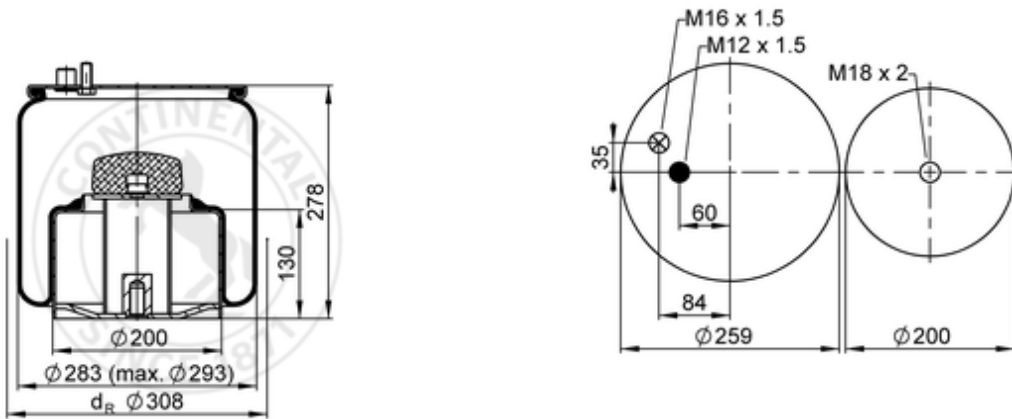


4884 N1 P09
67733


bolt or stud
 hole
 combination stud
 air inlet
 stud and nut

	9,6 kg
	K033
	M12x1.5: max. 40 Nm
	M16x1.5: max. 40 Nm
	M18x2: max. 270 Nm

OE Manufacturer/Part No.

Manufacturer	Original Part No.	Model
MAN	85.43600.6002	