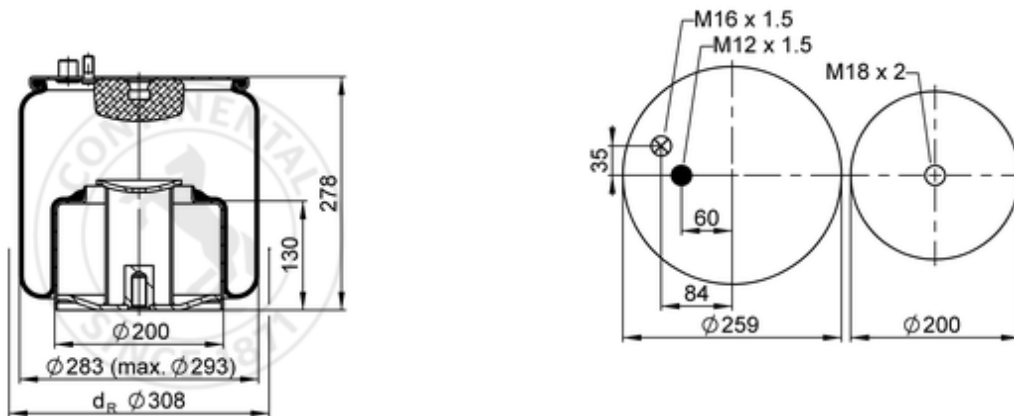


**4884 N1 P06**
**63417**


- bolt or stud
- hole
- combination stud
- air inlet
- stud and nut

kg	10 kg
	K033
	M12x1.5: max. 40 Nm
	M16x1.5: max. 40 Nm
	M18x2: max. 270 Nm

**OE Manufacturer/Part No.**

Manufacturer	Original Part No.	Model
MAN	81.43600.6055	
MAN	81.43600.6078	
MAN	81.43600.6035	TGA ALV 11.56.3
MAN	81.43600.6035	TGS

