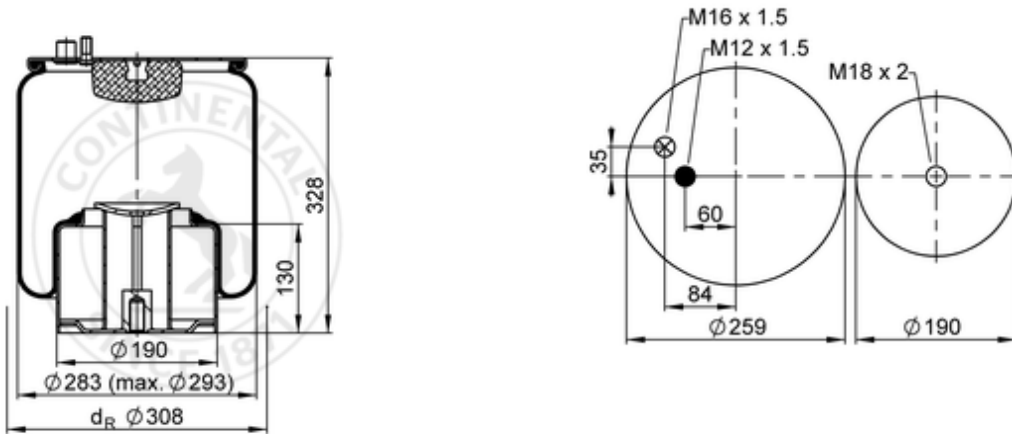


4883 N1 P06
76489


bolt or stud
 hole
 combination stud
 air inlet
 stud and nut

| | |
|--|---------------------|
| | 9,1 kg |
| | 67731 |
| | K032 |
| | |
| | M12x1.5: max. 40 Nm |
| | M16x1.5: max. 40 Nm |
| | M18x2: max. 270 Nm |

OE Manufacturer/Part No.

| Manufacturer | Original Part No. | Model |
|--------------|-------------------|----------------|
| MAN | 81.43600.6037 | TGA ALV 13/6.5 |
| MAN | 81.43600.6037 | TGA ALV 13/6.5 |

