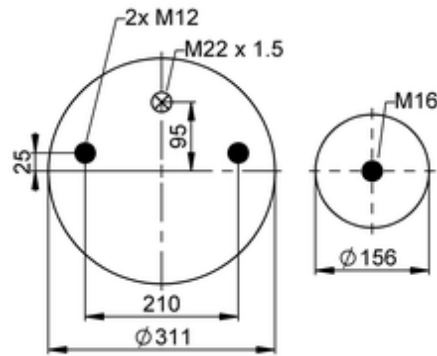
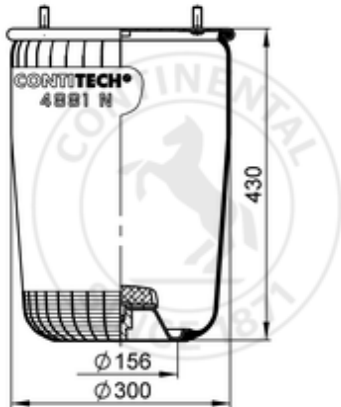


4881 N P02
67251


- bolt or stud
- hole
- combination stud
- air inlet
- stud and nut

kg	6,5 kg
	K029
	M12: max. 70 Nm
	M16: max. 130 Nm
	M22x1.5: max. 20 Nm

OE Manufacturer/Part No.

Manufacturer	Original Part No.	Model
BPW	05.429.41.01.0	36 K
Schmitz	750 570	36 K