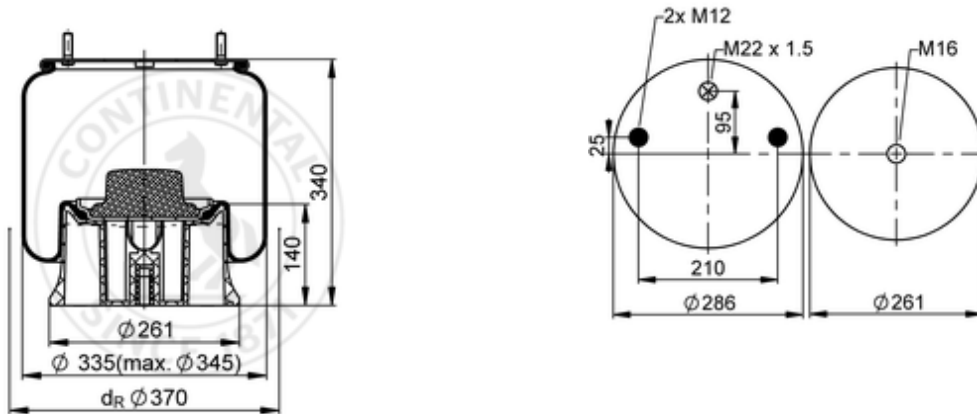


**4810 N P13**
**601495**


- bolt or stud
- hole
- combination stud
- air inlet
- stud and nut

kg	9,4 kg
	M12: max. 70 Nm
	M16: max. 70 Nm
	M22x1.5: max. 20 Nm

**OE Manufacturer/Part No.**

Manufacturer	Original Part No.	Model
SAF - Holland	2919V	
SAF - Holland	3.229.0042.00	2919 V