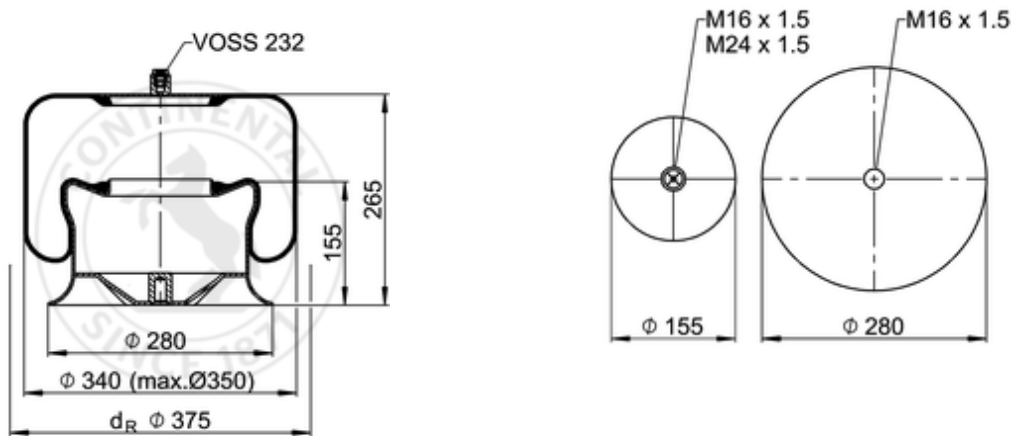


4758 N P21
600184


- bolt or stud
- hole
- combination stud
- air inlet
- stud and nut

	7,7 kg
	62438
	K021
	M16x1.5: max. 130 Nm
	M24x1.5: max. 100 Nm

OE Manufacturer/Part No.

Manufacturer	Original Part No.	Model
Mercedes	942 320 48 21	
Mercedes	945 320 00 17	
Mercedes	A 945 320 00 17	Actros
Mercedes	A 942 320 48 21	Actros
Mercedes	A 945 320 00 17	Actros

Mercedes

A 942 320 48 21

Actros