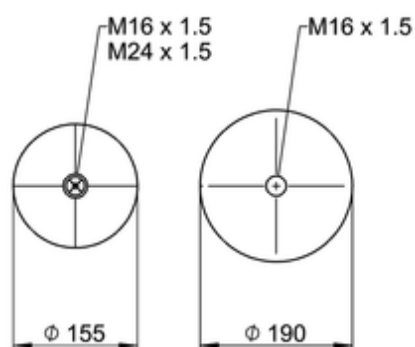
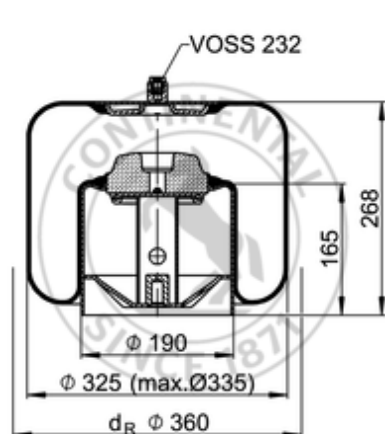






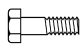





4737 N P22

62429



 bolt or stud  
  hole  
  combination stud  
  air inlet  
  stud and nut

	8,5 kg
	4737 N P02
	K021
	
	M16x1.5: max. 130 Nm
	M24x1.5: max. 100 Nm

### OE Manufacturer/Reference No.

Manufacturer	Original-part no.	Model
Mercedes	A 942 320 39 21	Atego
Mercedes	A 946 320 05 21	Atego