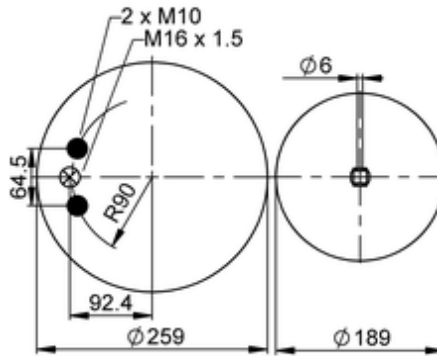
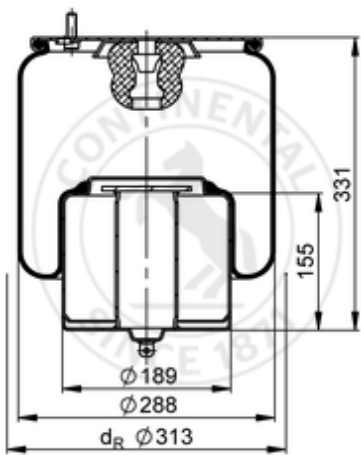


4713 N P02
72344


bolt or stud
 hole
 combination stud
 air inlet
 stud and nut

	9,2 kg
	10002792
	K006
	M10: max. 35 Nm
	M16x1.5: max. 20 Nm

OE Manufacturer/Part No.

Manufacturer	Original Part No.	Model
Volvo	20 554 755	
Volvo	20 554 755	
Volvo	1 076 594	NH12/FH12
Volvo	1 076 594	NH12/FH12

