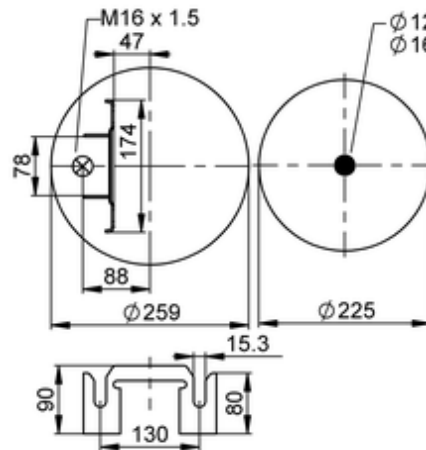
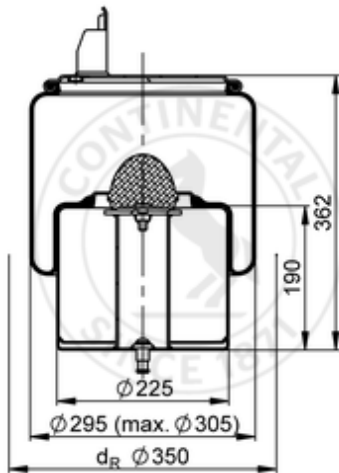


**4580 N P01**
**75813**


- bolt or stud
- hole
- combination stud
- air inlet
- stud and nut

	9,8 kg
	M14: max. 120 Nm
	M16x1.5: max. 20 Nm

**OE Manufacturer/Part No.**

Manufacturer	Original Part No.	Model
Volvo	21 451 172	Volvo FM/FH std/high
Volvo	22 047 983	Volvo FM/FH std/high