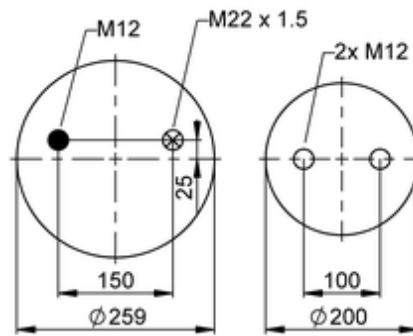
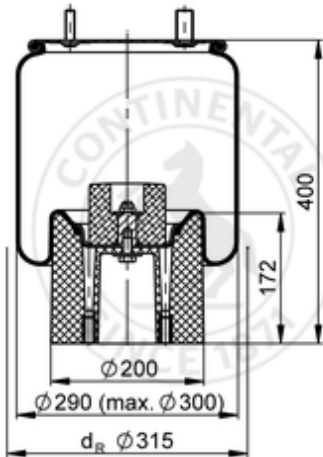


4162 N P01
74273


- bolt or stud
- hole
- combination stud
- air inlet
- stud and nut

	6,7 kg
	M12: max. 70 Nm
	M22x1.5: max. 20 Nm

OE Manufacturer/Part No.

Manufacturer	Original Part No.	Model
Daimler TAS	A 946 328 25 01	
Jost	3010502501	
Jost	JAS 30 105 025 01	
Jost	JAE 30 105 025 01	