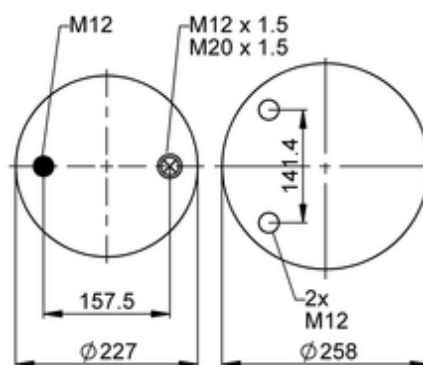
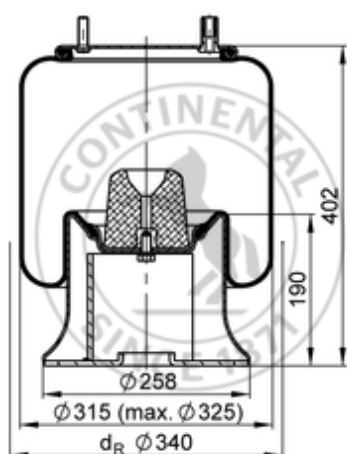






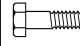





4159 N P07

72250



 bolt or stud
  hole
  combination stud
  air inlet
  stud and nut

 kg	13,2 kg
	K030
	
	M12: max. 70 Nm
	M20x1.5: max. 40 Nm

OE Manufacturer/Reference No.

Manufacturer	Original-part no.	Model
Fruehauf	UJB 0203-001	
SMB	1520356	
SMB	1524873	
SMB	1518779	
SMB	M001782	

