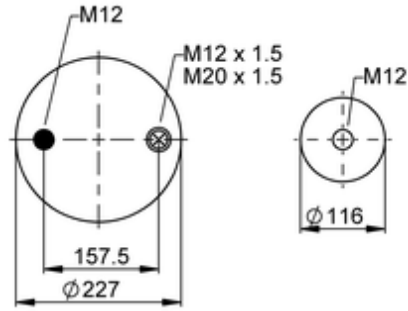
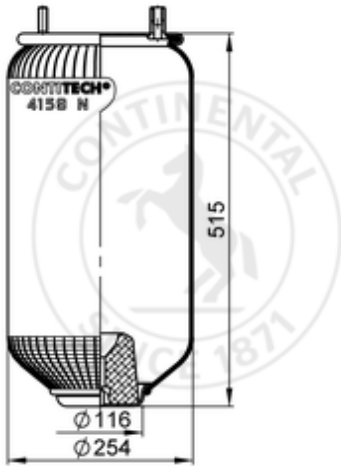


4159 N P05

72249



- bolt or stud
- hole
- combination stud
- air inlet
- stud and nut

	4,9 kg
	10002743
	M12: max. 70 Nm
	M20x1.5: max. 40 Nm

OE Manufacturer/Part No.

Manufacturer	Original Part No.	Model
Fruehauf		Service Assembly