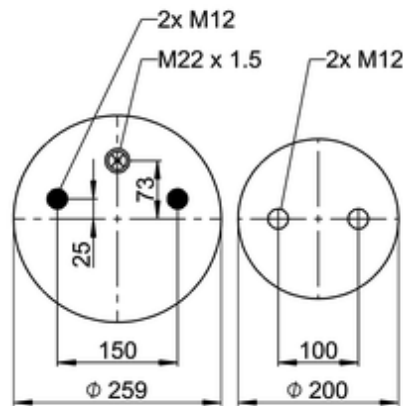
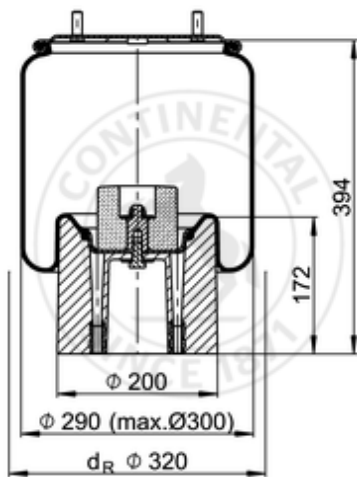


4157 N P14
69529


- bolt or stud
- hole
- combination stud
- air inlet
- stud and nut

	6,6 kg
	4157 N P04
	K011
	M12: max. 70 Nm
	M22x1.5: max. 20 Nm

OE Manufacturer/Part No.

Manufacturer	Original Part No.	Model
Jost	JAS 30 105 014 01	
Jost	JAE 30 105 014 01	
Meritor	2122 1307	
Jost	30 105 014 01	
Daimler TAS	946 328 14 01	

Daimler TAS	A 946 328 14 01	DCA; DLS
Daimler TAS	A 946 328 14 01	DCA; DLS. TE5/8