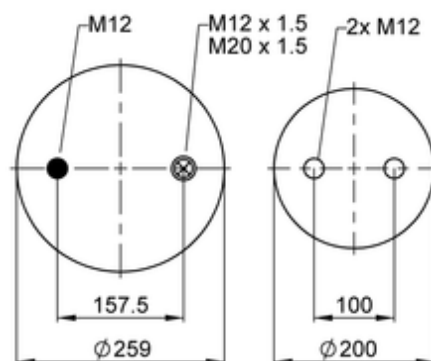
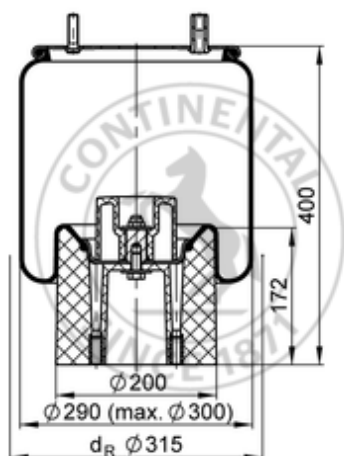






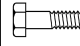





4157 N P03

66493



-  bolt or stud
-  hole
-  combination stud
-  air inlet
-  stud and nut

 kg	6,7 kg
	K030
	
	M12: max. 70 Nm
	M20x1.5: max. 40 Nm

**OE Manufacturer/Reference No.**

Manufacturer	Original-part no.	Model
Fruehauf		