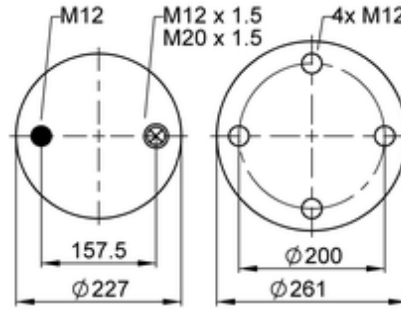
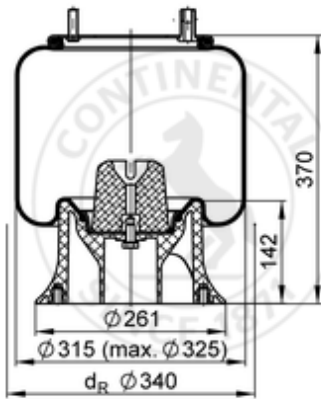


4156 N P15
64610


- bolt or stud
- hole
- combination stud
- air inlet
- stud and nut

kg	6,8 kg
	4156 N P06
	K015
	M12: max. 70 Nm
	M20x1.5: max. 40 Nm

OE Manufacturer/Part No.

Manufacturer	Original Part No.	Model
SMB		
Fruehauf	M001472	
Hendrickson	HA100001	
Meritor	2121 5761	
Weweler	US 35864	AC 128/131

