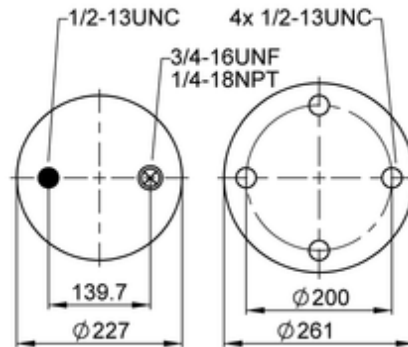
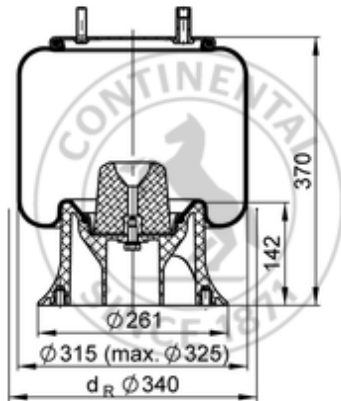


**4156 N P14**
**64611**


- bolt or stud
- hole
- combination stud
- air inlet
- stud and nut

		7 kg
		4156 N P04
		1/2-13 UNC: max. 70 Nm
		3/4-16 UNC: max. 40 Nm

**OE Manufacturer/Part No.**

Manufacturer	Original Part No.	Model
Granning	1359	
Granning	1528	
Neway	905 570 33	
Neway	905 570 37	
Neway	905 570 54	
Weweler	US 09361F	
Weweler	US 97306	

Transpart	520 728	
Granning	2727	
Meritor	2120 8939	
Fruehauf		
Neway	905 570 75	AR - 1057
Neway	905 570 27	AR 120
Neway	905 570 27	AR 120.US
Neway	905 570 27	AR 75.9
Neway	905 570 27	Art 500
Neway	905 570 27	Art 505
Hendrickson	B 2066	T - US