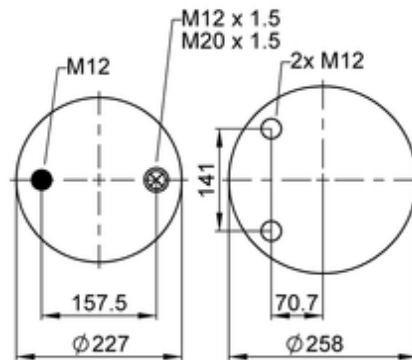
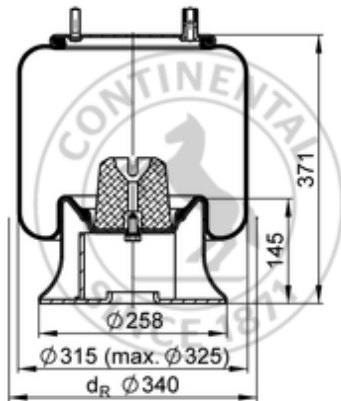


4156 N P09
72253


- bolt or stud
- hole
- combination stud
- air inlet
- stud and nut

	11,5 kg
	K030
	M12: max. 70 Nm
	M20x1.5: max. 40 Nm

OE Manufacturer/Part No.

Manufacturer	Original Part No.	Model
Fruehauf	UJB 0207-001	
Bertoja	45402004	
Fruehauf	UJB 0207	reinforced (offload)