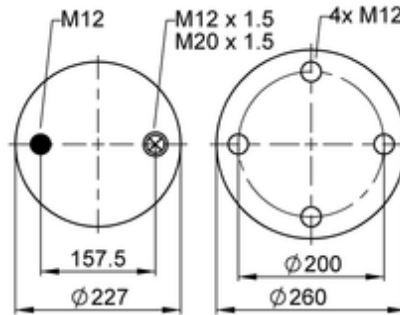
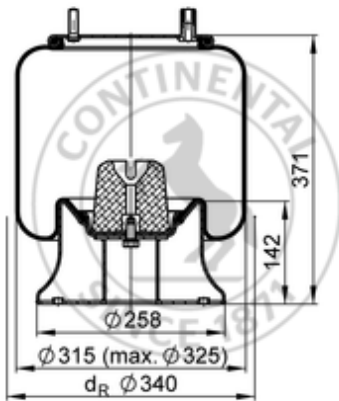


**4156 N P07**
**72252**


- bolt or stud
- hole
- combination stud
- air inlet
- stud and nut

kg	10 kg
	K015
	M12: max. 70 Nm
	M20x1.5: max. 40 Nm

**OE Manufacturer/Part No.**

Manufacturer	Original Part No.	Model
Fruehauf	M001472	
SMB		Steel