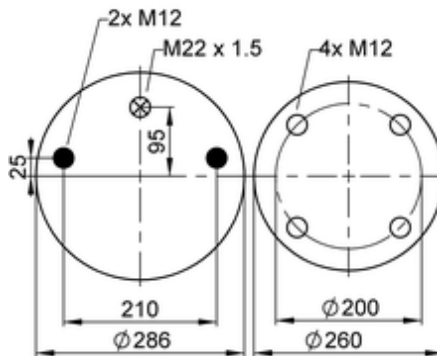
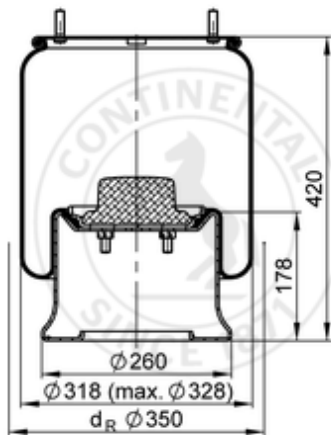


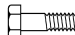





4028 N P02

72302



bolt or stud
 hole
 combination stud
 air inlet
 stud and nut

	13,6 kg
	10002774
	K028
	
	M12: max. 70 Nm
	M22x1.5: max. 20 Nm

OE Manufacturer/Part No.

Manufacturer	Original Part No.	Model
Schmitz	015 323	
Weweler	US 04028	
Scania	2198335	
SMB	09377008	
Weweler	US 04028C	

Weweler	US 04028F	
Weweler	YP4028N2-F	
Valx	80131003	HD100