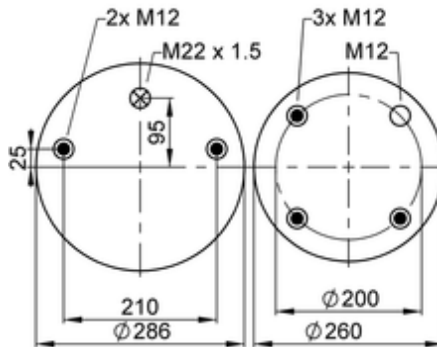
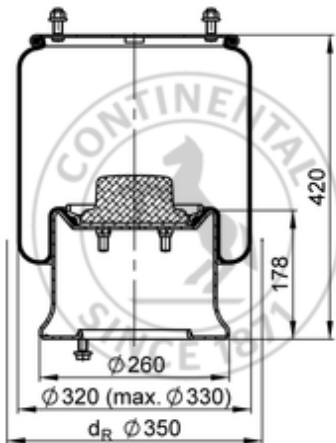


4023 N P07
67745


- bolt or stud
- hole
- combination stud
- air inlet
- stud and nut

	13,6 kg
	incl.
	M12: max. 70 Nm
	M22x1.5: max. 20 Nm

OE Manufacturer/Part No.

Manufacturer	Original Part No.	Model
SAF - Holland	2923 V P02 Modul	
SAF - Holland	3.228.0031.00	2923 V P02 Modul