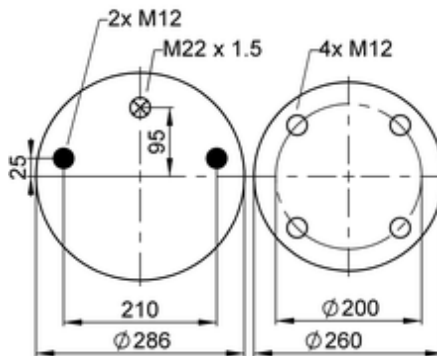
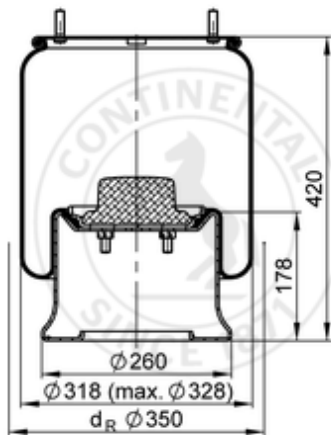


4023 N P03
67221


bolt or stud
 hole
 combination stud
 air inlet
 stud and nut

	13,5 kg
	K001
	M12: max. 70 Nm
	M22x1.5: max. 20 Nm

OE Manufacturer/Part No.

Manufacturer	Original Part No.	Model
SAF - Holland	2923V	
Scania	1723280	
SAF - Holland	3.229.2231.00	2923 V
SAF - Holland	3.229.2431.00	2923 V
SAF - Holland	3.229.0031.00	2923 V
SAF - Holland	3.229.2131.00	2923 V
Schmitz	751 082	2923V

