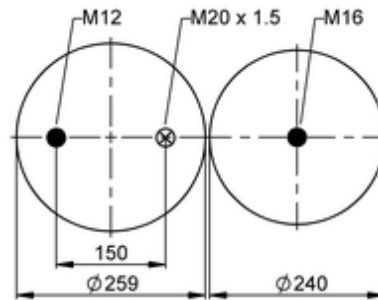
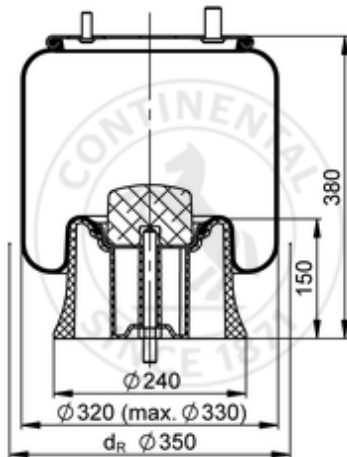


4022 N P08
601452


- bolt or stud
- hole
- combination stud
- air inlet
- stud and nut

	7,2 kg
	M12: max. 70 Nm
	M16: max. 130 Nm
	M20x1.5: max. 40 Nm

OE Manufacturer/Part No.

Manufacturer	Original Part No.	Model
SAF - Holland	2619IL	
SAF - Holland	3.229.0043.00	2619 IL
SAF - Holland	3.228.1043.00	2619 IL