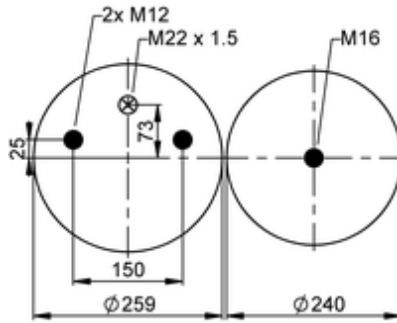
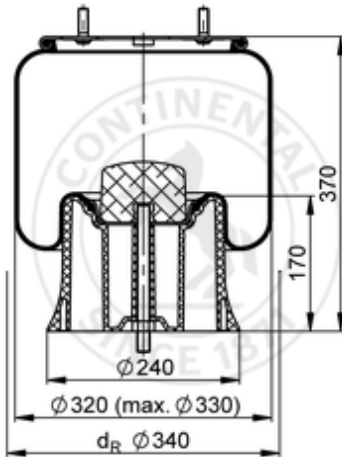


4022 N P07
601451


bolt or stud
 hole
 combination stud
 air inlet
 stud and nut

kg	7,6 kg
	K013
	M12: max. 70 Nm
	M16: max. 130 Nm
	M22x1.5: max. 20 Nm

OE Manufacturer/Part No.

Manufacturer	Original Part No.	Model
SAF - Holland	2621V	
SAF - Holland	3.229.0038.00	2621 V